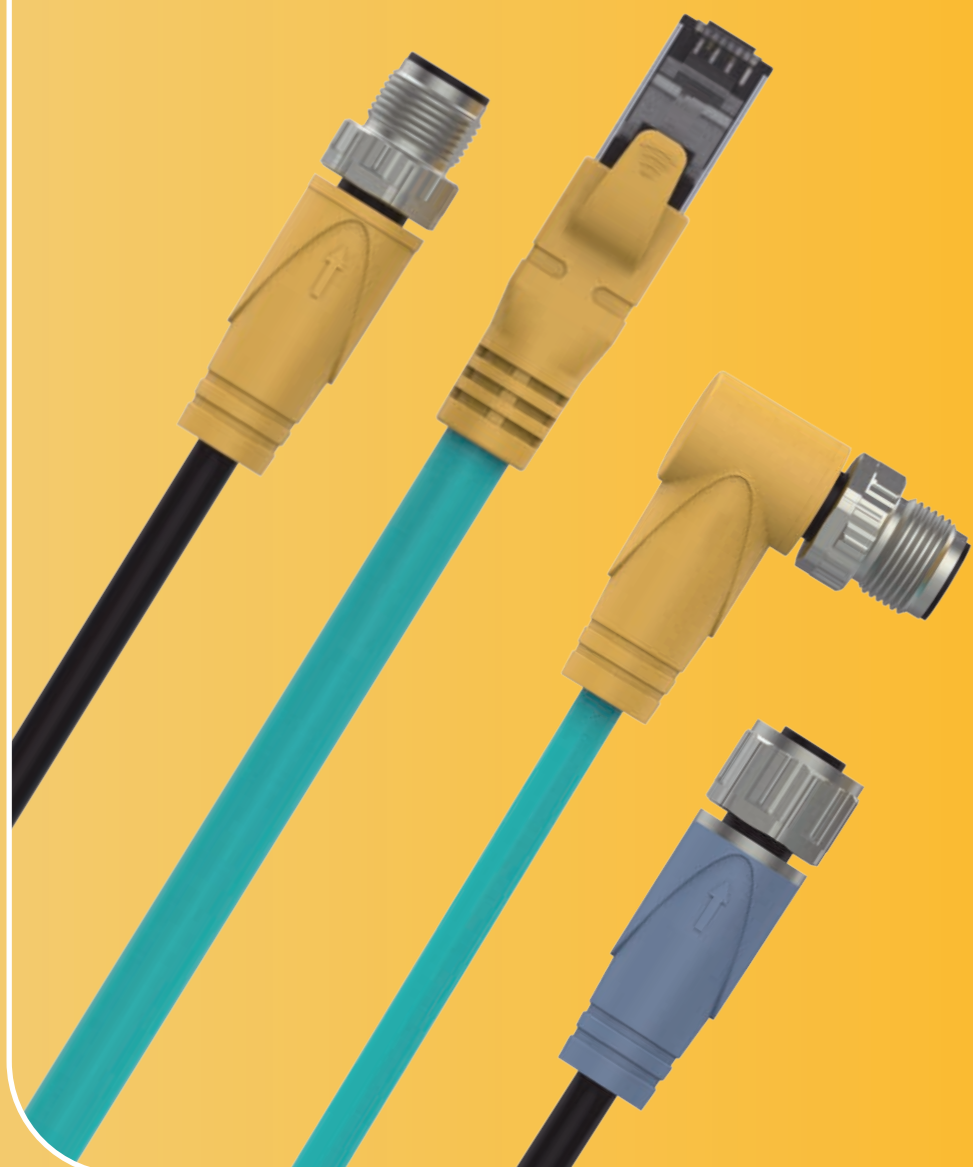




## Industrial Control & Connectivity Solutions



## About KLG Smartec

At KLG Smartec (KLG), we are dedicated to advancing industrial internet, integrating AI-powered solutions with top-notch Industrial Ethernet Switches and comprehensive Smart Control Solutions. Our focus on Industrial Automation drives us to prioritize high-quality Industrial Communications, seamlessly blending them with advanced industrial networking technologies.

Our expertise shines in our commitment to developing cutting-edge AI-powered Industrial Networking Solutions and efficient Smart Control systems. This dedication ensures peak performance and unwavering reliability in our Industrial Network Infrastructure, adapting to the ever-evolving landscape of industrial internet.

## Contact Details

Website:

[www.klgsmartec.com](http://www.klgsmartec.com)

E-mail

[info@klgsmartec.com](mailto:info@klgsmartec.com)



Visit our website:



# 01 Industrial Connector

## Molded Cordsets

- M8-M40 series molded cordsets
- Different communication protocol products
- Different cable requirements products



- Molded cordsets provide better protection, service life and overall performance. Usually suitable for use when the length is known.
- A variety of cables can be selected to meet the customer's different use environment, such as drag chain, oil resistance, heat resistance, welding slag resistance, etc.
- Our standard products can be adjusted according to customers' use requirements and habits. For example, connector and cable color, marking sleeve and line number, etc., It is more acceptable for customers to use cables.



## Field Wirable Connectors

- Screw connection
- IDC connection
- Crimp connection
- Spring connection

- All kinds of on-site wiring products are complete, a variety of installation methods for customers to choose.
- Used with prefabricated cables, the length and sequence can be adjusted according to site conditions.
- Reliable structure, easy installation, strong versatility, convenient customer flexible use.



## Receptacles

- Molded type
- Solder-cup type
- Loose-end type
- PCB mount type

Various connection modes adapt to different products

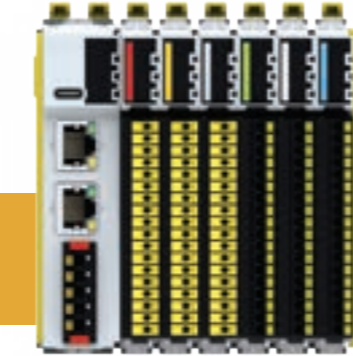
- Molded type/PCB mount type: usually suitable for internal connection of products.
- Loose-end type: It is usually suitable for cabinet end connection or fully shielded data transmission.
- Solder-cup type: Indefinite length or line sequence, field connection adjustment used.



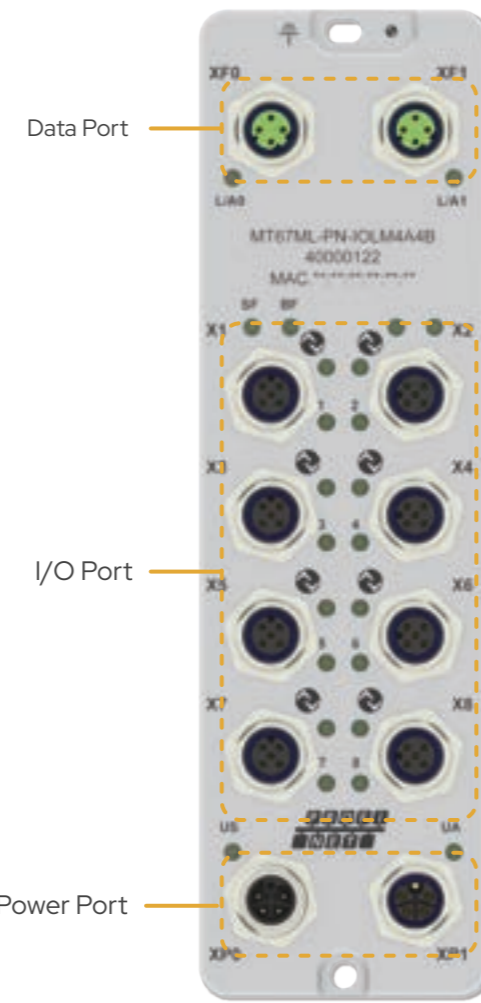
## Fieldbus Module



KT 67 Series  
KT 20 Series



KT 20 Serie



Master

IO-Link



EtherNet/IP

EtherCAT

100Mbps communication rate  
8 I/O-Link Port  
IO-Link V1.1 Version  
COM1, COM2, COM3

8 Class A Port  
8 Class B Port  
4 Class A+ 4 Class B Port

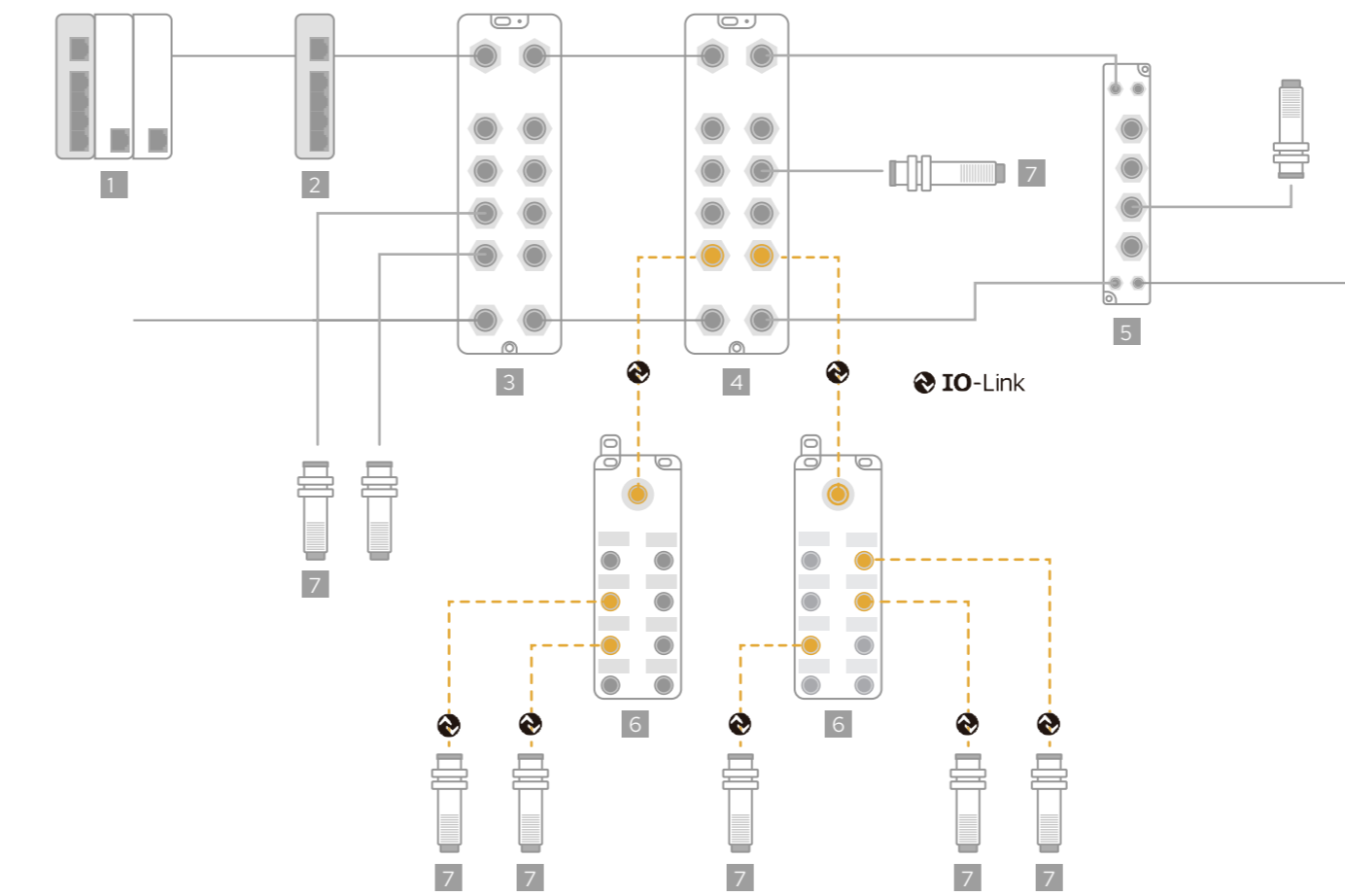


Device

Solve the digital communication between the industrial field equipments such as intelligent instruments, controllers, actuators and so on, and the information transmission between these field control equipments and advanced control systems. Because the fieldbus module is simple, reliable, economical and practical, it helps users to reduce the cost of installation, use and maintenance. It is favored by all kinds of customers and finally achieves the purpose of increasing profits.

# 02 Industrial Fieldbus Module

## IO-Link System Framework



- 1 PLC
- 2 Ethernet Switch
- 3 Individual I/O Module
- 4 IO-Link Master
- 5 Individual I/O Module
- 6 I/O-Link Slave
- 7 Sensor or Actuator

## Inductive Sensor

It can conduct non-contact, high-precision rapid detection of the target object, and realize various detection applications such as target positioning, device counting, speed monitoring, continuous displacement measurement of moving objects, metal break detection and so on.



Welding field immunity inductive sensors



## Industrial Encoder

Industrial encoders are widely used in elevator, drive technology, construction machinery, wind power, metallurgy and other industries.

## Photoelectric Sensor

Through the detection modes such as reflector type, reflector type and direct trans type, the target can be detected without contact, long distance and high precision, and various detection applications such as target positioning, device counting, speed monitoring, continuous displacement measurement of moving objects, and filling position monitoring can be realized.

## Ultrasonic Sensor

It can realize various detection applications such as distance inspection, collision protection, liquid level measurement, measuring code height, quality inspection, existence inspection, sag inspection and recognition of dark objects.



# Industrial Sensor/Encoder 03