

PTS-10AL

1U rack mounting high-precision time servers



» Overview

PTS-10AL is a multifunction time server. PTS-10AL is designed for 1U 19 inch rack mounting requirements. It provides nanosecond accuracy time service for any industry fields. It supports GPS (Global Positioning Service), BDS (Chinese Satellite System), and GLONASS (Russian Satellite System) as sky time sources and PTP (Precision Timing Protocol), IRIG-B as ground time sources. Based on the multiple time source input PTS-10AL has multi-time source selection logical and Sky-Grounding time backup function inside.

PTS-10AL supports PTP(Precision Timing Protocol), supports NTP/PTP/PPS/IRIG-B/Serial TOD etc. time synchronization signal output as time synchronization purpose.

PTS-10AL time server supports WEB/SNMP remote system management and configuration mode.

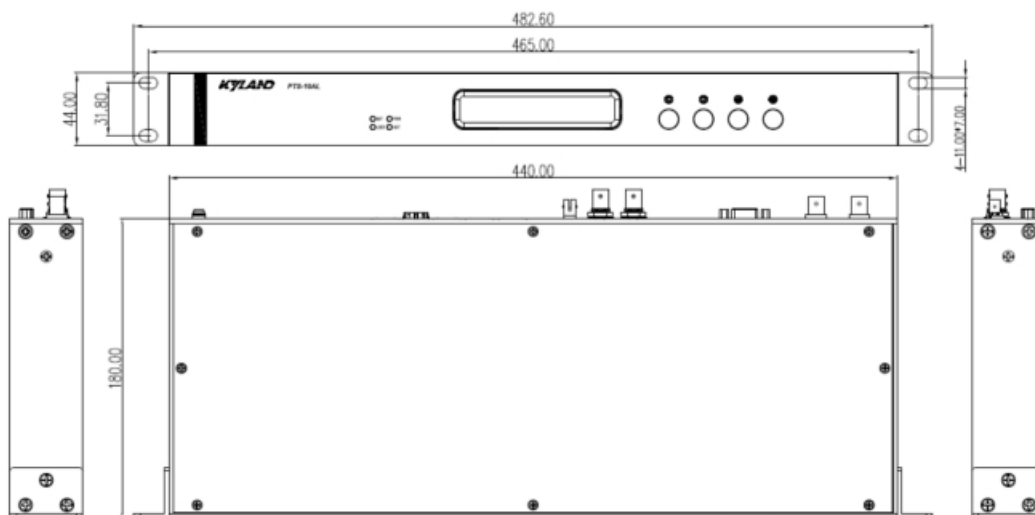
» Key Features

- Support 2 BNC/ IRIG-B signal output interface
- Support 2 DB9 serial TOD signal output interface
- Support WEB、SNMP management
- Support LCD screen display and operation by keys on front panel
- Support redundant power supply

Product Specifications	Industry Standard	Climatic environmental: EN 61000-6-4: 2019, EN 55032: 2015/A11:2020 Class A IEC60068-2-1: Cold; IEC60068-2-2: Dry heat IEC60068-2-30: Damp heat Machinery: IEC 60068-2-6 IEC 60068-2-27
------------------------	-------------------	---

➤ Mechanical Drawing

Panel Schematic

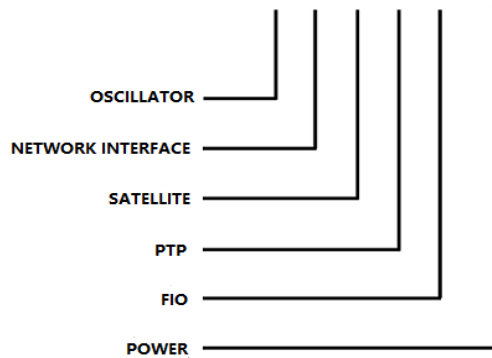


» Ordering Information

Model	Power	OSCILLATOR	PTP	SATELLITE	Ethernet port 1*10/100/ 1000M Combo port, 4*10/100 M RJ45 ports	Output Int erface 2 BNC 2 RS485 2 RS232	Fiber input
PTS-10AL-17211-HV	Single	TCXO	Support	Single Channel GPS/BDS/GLONASS	Support	Support	Support
PTS-10AL-17511-HV-HV	Dual	TCXO	Support	Dual Channel GPS/BDS/GLONASS	Support	Support	Support

Basic configuration description

PTS-10AL-DDDDD-PS1-PS2



Type	P/N	Description
OSCILLATOR	1	TCXO
Network Interface	7	1*10/100/1000M Combo port+ 4*10/100M RJ45 ports, Support NTP、PTP
SATELLITE	2	Single channel, Configurable GPS/BDS/GLONASS
	5	Dual channel, Individually configurable GPS/BDS/GLONASS
PTP	1	support
FIO	1	support
Power	HV	220VAC(85-264VAC/77-300VDC), Single power supply
	HV-HV	220VAC(85-264VAC/77-300VDC), Dual power supply